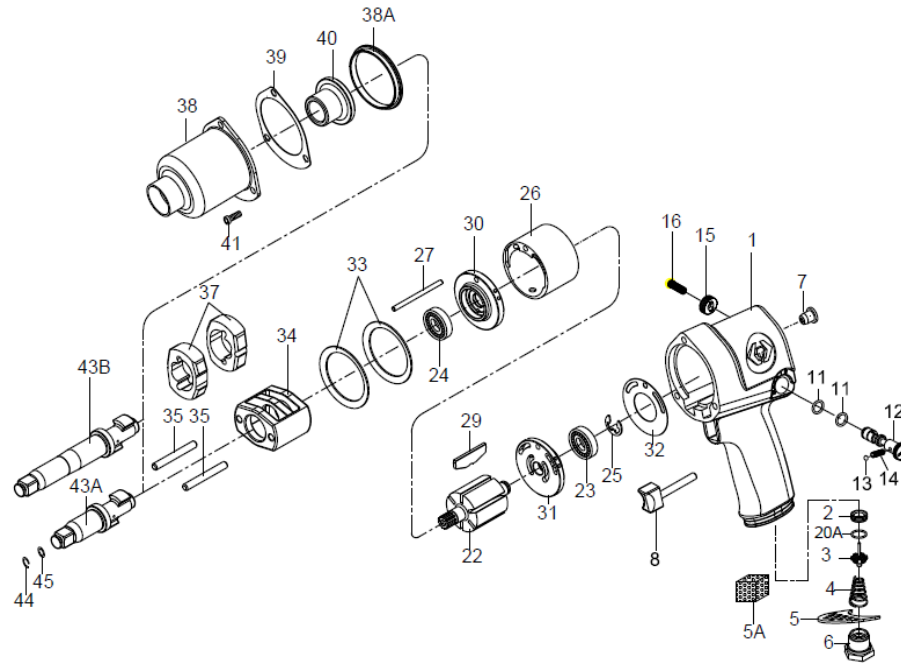


1/2" DR. IMPACT WRENCH



ITEM NO. 33411-050/33411-051

ITEM NO. 33412-050/33412-051



33411-050/33411-051/33412-050/33412-051

Index No.	KT No.	Part Name.	Description	Req'd No.	Index No.	KT No.	Part Name.	Description	Req'd No.
01	033411-B01	手柄組合(Inc.02.07.20A)	Motor Housing Assembly(Inc.02.07.20A)	1	27	033411-B27	汽缸 PIN	Cylinder Dowel	1
02	033411-A02	進氣缸	Throttle Valve Seat	1	29	033411-B29	葉片	Rotor Blade	6
03	033411-A03	進氣閥組	Throttle Valve Assembly	1	30	033411-B30	下蓋	Front End Plate	1
04	033411-A04	進氣口彈簧	Throttle Valve Spring	1	31	033411-B31	上蓋	Rear End Plate	1
05	033411-A05	消音罩	Exhaust Deflector	1	32	033411-A32	上蓋迫緊	End Plate Gasket	1
05A	033621-B43	消音棉	Muffler Element	1	33	033411-A33	皿形環	Motor Clamp Washer	2
06	033411-A06	進氣口螺絲 PT 19牙	Air Inlet	1	34	033411-B34	升降室	Hammer Frame	1
06A	033411-A06A	進氣口螺絲 NPT 18牙	Air Inlet	1	35	033411-A35	錘Pin	Hammer Pin	2
07	033411-A07	黃油嘴	Grease Fitting	1	37	033411-A37	錘	Hammer	2
08	033411-A08	板機+板機PIN組合	Trigger Assembly	1	38	033411-B38	前殼	Hammer Case	1
11	033411-B11	○型環	O-Ring	2	38A	033411-A38A	連結環	Hammer Case Pilot	1
12	033411-A12	換向閥	Reverse Valve	1	39	033411-A39	前殼迫緊	Hammer Case Gasket	1
13	033411-A13	銘鋼珠	Reverse Valve Detent Ball	1	40	033411-B40	導套	Hammer Case Bushing	1
14	033411-A14	鋼珠彈簧	Reverse Valve Detent Spring	1	41	033411-A41	有頭內六角螺絲	Hammer Case Cap Screw	3
15	033411-A15	調整鈕	Reverse Valve Knob	1	43A	033411-B43A	短鉗	Standard Anvil(for 33411-050)	1
16	033411-A16	半圓內六角螺絲	Reverse Valve Knob Screw	1	43B	033411-B43B	2"長鉗	2"Extended Anvil(for 33412-050)	1
20A	033411-A20A	○型環	O-Ring	1	44	033411-A44	週形環	Socket Retainer	1
22	033411-B22	轉子	Rotor	1	45	033411-A45	○型環	Retainer O-Ring	1
23	033411-A23	培林	Bearing	1	TK-03	033411-BTK3	短鉗/O型環/週形環組合	Standard Anvil Assembly(Inc. 43A,44,45)	
24	033411-B24	培林	Bearing	1	TK-04	033411-BTK4	長鉗/O型環/週形環組合	2" Extended Anvil Assembly(Inc. 43B,44,45)	
25	033411-A25	扣環	Retainer	1	TK-05	033411-BTK5	KING TONY前殼組(拋光鍍鉻)	Hammer Case Assembly(Inc. 38,40)	
26	033411-B26	汽缸	Cylinder	1	TK	033411-BTK	零件修理包(KING TONY)	Tune-Up Kit (Inc. 3 ,4,11(2),25,29(6),32,39,44,45)	